

COVANA

COVANA EVOLUTION

Read this manual before operating the Covana

Lisez ce manuel avant d'utiliser le Covana



User Manual

Manuel de l'utilisateur

www.covana.com



La version française du manuel débute à la page 13.

⚠ WARNING

RISK OF ELECTROCUTION

ALL ELECTRICAL WIRING MUST BE DONE BY A QUALIFIED PROFESSIONAL.
THE WIRING MUST MEET THE REQUIREMENTS OF ANY LOCAL CODES AND REGULATIONS.

⚠ WARNING

RISK OF ELECTROCUTION

THE COVANA OPERATOR MUST BE CONNECTED TO A DEDICATED GFCI
(GROUND FAULT CIRCUIT INTERRUPTERS) PROTECTED CIRCUIT.
REFERENCE: MUST COMPLY WITH ALL LOCAL CODES AND REGULATIONS.

⚠ WARNING

RISK OF INJURY

DISCONNECT OR TURN OFF ALL POWER SUPPLY BEFORE STARTING
INTERVENTION ON THE COVANA.

⚠ WARNING

RISK OF INJURY

DO NOT OPERATE THE COVANA WHILE IN WATER.



⚠ WARNING

AVOID DROWNING RISK – ENTRAPMENT POSSIBLE.

FAILURE TO FOLLOW ALL INSTRUCTIONS MAY RESULT IN INJURY OR DROWNING.
INSPECT COVER PERIODICALLY.
POWER SAFETY COVER MEETING ASTM F1346-91 REQUIREMENTS.

IMPORTANT

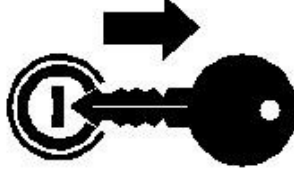
ANY MODIFICATION TO THIS PRODUCT WILL VOID THE WARRANTY.

NOTICE

DO NOT STEP ON THE COVANA OPERATOR.

NOTICE

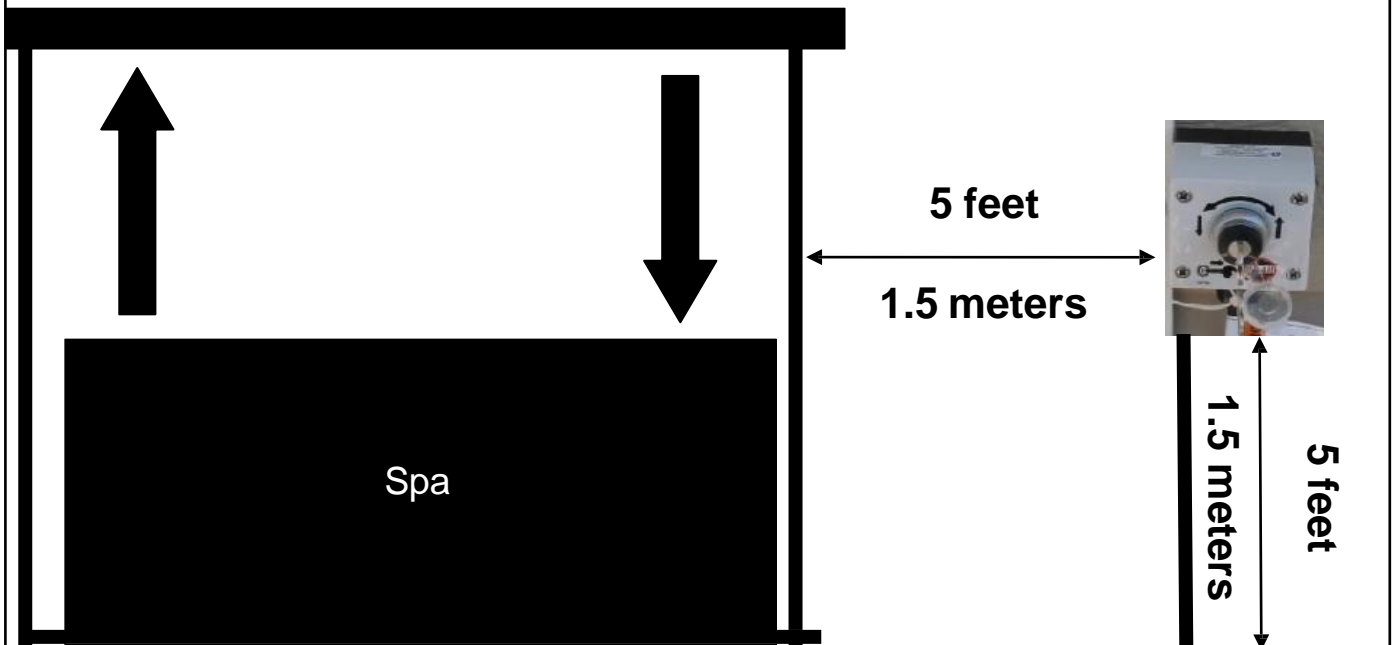
REMOVE THE CONTROL KEY AFTER OPERATING THE COVANA.
STORE THE KEY IN A SECURE LOCATION WHEN NOT IN USE.
BRING THE KEY WITH YOU IN THE HOT TUB TO PREVENT
UNAUTHORIZED OPERATION OF THE COVANA.



NOTICE

The key switch must be permanently mounted and located 5 feet (1.5 m) away from the spa and 5 feet (1.5 m) above the deck. User must have full view of the Covana when operating.

Roof



OPERATING INSTRUCTIONS

1. Be sure all debris and snow is removed from the roof of the Covana before operating.
2. Ensure there are no persons in the spa or near the spa.
3. Ensure there are no obstructions in the way.
4. The key must be held in the proper position until fully opened/closed.
5. The Covana will automatically stop in both the fully opened and fully closed modes.
6. Turn the key clockwise to raise the roof.
7. Turn the key counterclockwise to lower the roof.
8. Key will automatically return to center/off position when released.
9. Remove key when finished operating the Covana.



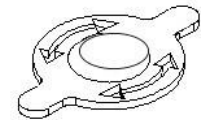
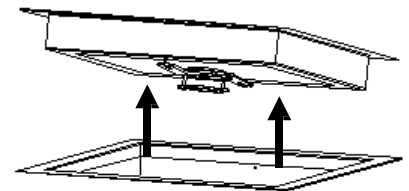
Using the escape hatch

From below

1. Turn red handle by a quarter turn in either direction to retract the arms.
2. Push straight up on the escape hatch and place to the side.
3. Escape via the hole and call for assistance if required.

From above

1. **Do not at any point put your weight on the escape hatch as it may hinder the person trapped below.**
2. Use the Covana key inside the slot located in the white centre part of the handle.
3. Turn the handle until the key falls down.
4. Continue to turn handle one quarter turn in either direction.
5. Lift the escape hatch straight up by gripping its sides and place it to the side.
6. Assist the person trapped below in climbing out of the spa via the hole.



SAFETY

- Never operate the Covana until all persons and objects are out of the spa.
- The Covana should only be operated by an adult.
- Always remove key after use, never leave the key in the key switch.
- Do not operate the Covana while in spa.
- The Covana should be in full view when operating key switch.
- Never leave the Covana partially opened or partially closed.
- Lower the Covana in extreme wind conditions.
- Objects inside the spa cannot be seen when the Covana is closed.
- Supervise children at all times.
- Never allow persons or objects on the roof.
- Ensure that users of the Covana understand the escape hatch and how it operates.
- Escape hatch is to be used for emergencies only.
- Inspect escape hatch regularly and ensure that it can open both from the outside and the inside.

WARNING

RISK OF INJURY
DISCONNECT OR TURN OFF ALL POWER SUPPLY BEFORE STARTING
INTERVENTION ON THE COVANA OPERATOR.

MAINTENANCE AND CARE

Roof

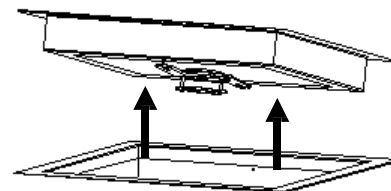
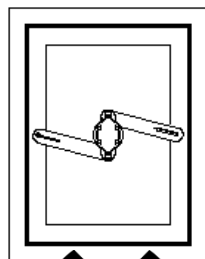
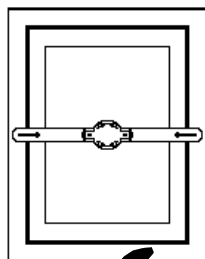
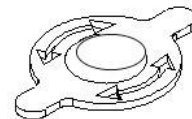
1. Wash only with mild detergent or soap and water.
2. Inspect the cover every month for wear and/or damage.

Lift System

1. The internal jacks will require yearly greasing, early fall is the best time. Use of “Loctite ViperLube High Performance Synthetic Grease” recommended.
 - a. Lower the roof until it is fully closed.
 - b. Remove the five screws on the top plate of **EACH** post.
 - c. Turn the key to activate the system.
 - d. The four internal jacks will start to elevate but the roof will stay lowered on the spa.
 - e. Elevate the jacks until the system stops on its own.
 - f. Spray grease on all of the sliding and mechanical components.
 - g. Cycle the system up and down a couple times and inspect if any further grease should be applied.
 - h. Lower the system and reinsert the screws using a hand screwdriver as a power tool may break the screws.
2. The operator will require yearly greasing of its mechanical components.
 - a. Disconnect or turn off the power.
 - b. Remove the four screws on the operator cover.
 - c. Remove the operator cover.
 - d. Spray grease on all the mechanical components.
 - e. Replace the operator cover and reconnect power.

Escape Hatch

1. The escape hatch should be checked monthly to ensure function and safety.
 - a. Ensure that the Covana cover is completely down on the spa prior to checking the escape hatch.
 - b. Remove the key from the key switch.
 - c. From above, use the Covana key and insert it into the slot located within the white centre portion of the handle.
 - d. Turn handle until the key drops into place.
 - e. Continue to turn handle a quarter turn. You should feel resistance as the arms move. If no resistance is felt ensure the key is through both slots. If the handle still does not turn the arms, contact your dealer.
 - f. Lift out escape hatch by gripping the sides.
 - g. With escape hatch out, turn the bottom handle and the arms on the side should move in and out. After this is confirmed, turn the handle so that the arms are in. If they do not move, contact your dealer.
 - h. Re-insert the escape hatch.
 - i. With the key still in, turn the handle back by a quarter turn.
 - j. Remove key.
 - k. From the key switch, use the key to lift the cover back into the air and ensure that the arms of the escape hatch are extended as shown.
 - l. Lower the cover back down and remove the key.



TROUBLESHOOTING

PROBLEM	CAUSE	SOLUTION
<p>The Covana will not elevate or lower</p> <ul style="list-style-type: none"> • motor is silent • no visible movement 	No power	Check GFCI and reset if tripped.
		Check breaker panel.
		Check key switch – open the key switch and review connections – might need retightening.
		Motor overheated – wait 30 minutes and try again.
		Review electrical troubleshooting guide.
		Review operator’s manual for the procedure to operate the Covana manually.
		Consult Electrician.
<p>The Covana will not elevate or lower</p> <ul style="list-style-type: none"> • motor is humming • some visible movement 	Posts are frozen	Remove all snow and ice from Covana roof and release all shades/screens from lower restraining brackets.
		Turn key off and on a number of times to free up frozen post.
		Slap the side of each post to free up the system and to break loose any ice/frost.
		Spray a silicone base lubricant on the telescoping aluminum sleeves.
		Ensure proper seal – turn on all the jets and air, lower roof, detect any leakage in the area of the posts. If leakage is occurring, loosen the outside post clamp and push down on the roof until leakage stops and retighten clamp and reinsert safety screw.
	Perform the jack greasing procedure.	
	Mechanical issue	Call your dealer.
<p>Shades or screens</p> <ul style="list-style-type: none"> • Too loose • Do not retract properly • Restraining bar disconnects from restraining brackets when fully lowered 	Insufficient winding of the internal spring	Review the installation procedure and add extra tension. View video on YouTube for procedure.
Escape hatch does not open	Mechanical issue	Call your dealer

MANUAL OPERATION IN CASE OF POWER FAILURE

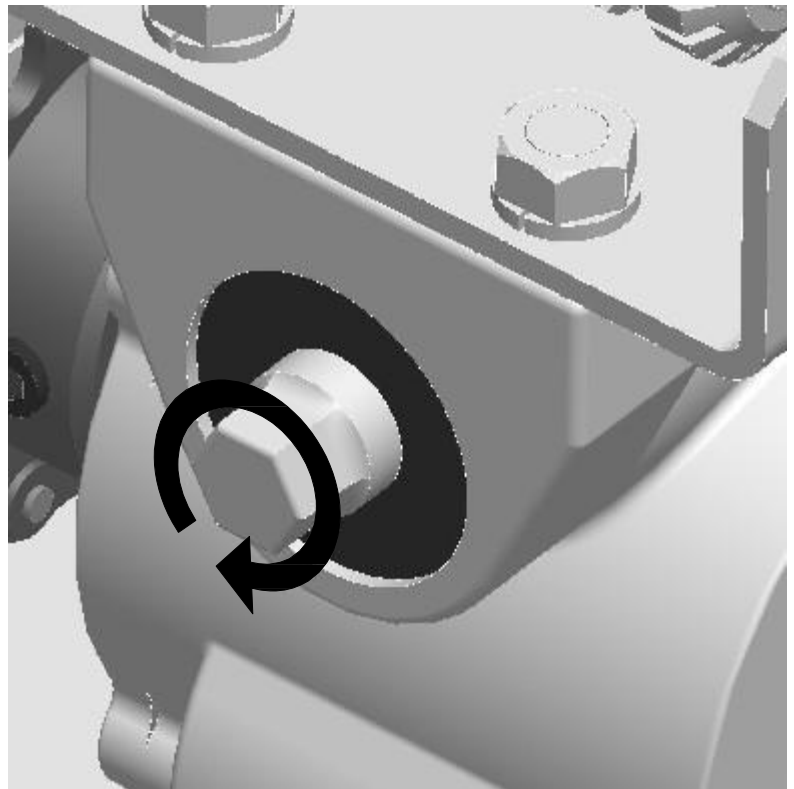
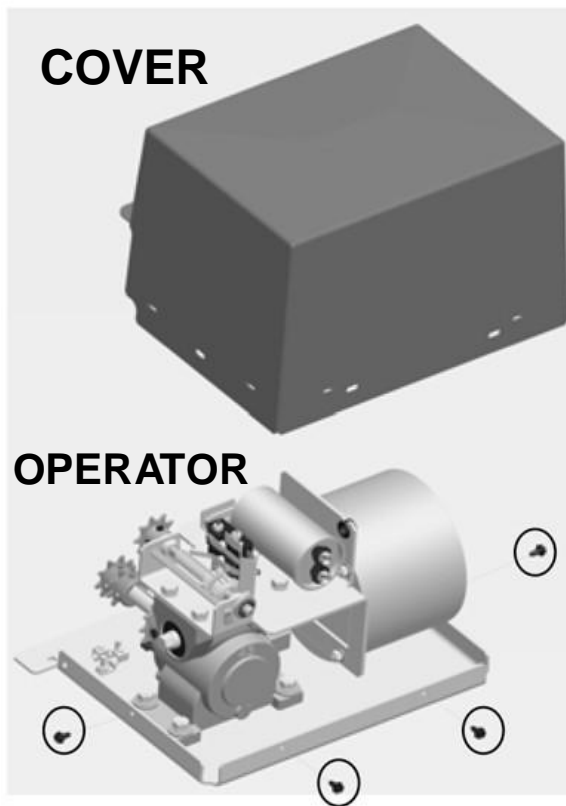
WARNING

RISK OF INJURY
DISCONNECT OR TURN OFF ALL POWER SUPPLY BEFORE STARTING
INTERVENTION ON THE COVANA OPERATOR.

1. Disconnect or turn power off.
2. Unscrew and remove the four screws at the bottom of the operator and take cover off.
3. Use a 1/2" or 13 mm hexagon socket wrench to operate the operator by turning the input shaft.

**SLOWLY TURN THE SHAFT - STOP IF EXCESS TENSION IS FELT.
NEVER USE A POWER TOOL AS THIS WILL DAMAGE THE UNIT.**

4. Turn the input shaft clockwise to lower the roof and counterclockwise to raise the roof.
5. Reinstall the operator cover.
6. Reconnect or turn on power.

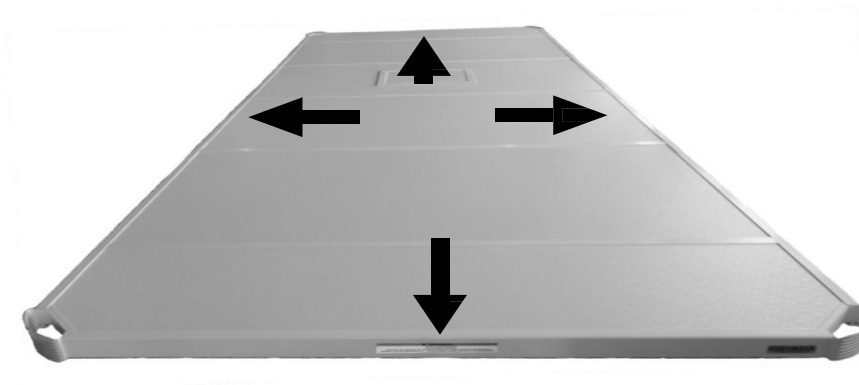


SAFETY

WARNING

AVOID DROWNING RISK – ENTRAPMENT POSSIBLE
FAILURE TO FOLLOW ALL INSTRUCTIONS MAY RESULT IN INJURY OR DROWNING.
INSPECT COVER PERIODICALLY — POWER SAFETY COVER MEETING ASTM F1346-91
REQUIREMENTS.

- Never operate the Covana until all persons and objects are out of the spa.
- The Covana should only be operated by an adult.
- Always remove key after use, never leave the key in the key switch.
- Do not operate the Covana while in tub.
- The Covana should be in full view when operating the key switch.
- Never leave the Covana partially opened or partially closed.
- Lower the Covana in extreme wind conditions.
- Objects inside the spa cannot be seen when the Covana is closed.
- Supervise children at all times.
- Inspect roof for premature wear.
- Never allow persons or objects on the roof.



Actual labels on all four (4) exterior sides of the COVANA EVOLUTION.

If the original labels are damaged or no longer meet legibility requirements for safe viewing distance, please obtain replacement labels by contacting Covana or your retailer.

COVANA *EVOLUTION* Consumer Limited Warranty 2015

This Limited Warranty is extended solely to the original purchaser of the *EVOLUTION* purchased after January 1st, 2015 and installed for residential recreational use only. The warranty shall commence upon the original date of purchase for the *EVOLUTION*.

WHAT'S COVERED?

- **5 Years Structure** - The aluminum frame, brackets and telescoping sleeves are warranted against fracture, deformation and fatigue, due to defects in materials and workmanship for five (5) years from original date of purchase.
- **2 Years Cover** - The Fiberglass Cover is warranted against fracture and deformation for a period of two (2) years from original date of purchase. Fading/weathering of surface and surface abrasions will occur naturally over time and are not considered defects. Improper spa water chemistry and misuse of spa chemicals may cause discoloration of the inner surface. Inner surface discoloration is not considered a defect and is not covered under this warranty.
- **3 Years Powder Coat Paint Finish** – The powder paint on all surfaces is warranted against chipping and peeling for three (3) years from original date of purchase. Fading/weathering of surface and surface abrasions will occur naturally over time and are not considered defects. Chipping of power paint on hardware may occur during assembly and servicing of the *EVOLUTION*. These chips are not covered under this warranty.
- **3 Years Mechanical** – The mechanical components including; the motor, chains, drive shafts and jacks are warranted against malfunctions due to defects in materials or workmanship for three (3) years from original date of purchase.
- **2 Years Electrical** – The electrical components including; cables, electrical wires, and key switch controller are warranted against malfunctions due to defects in materials or workmanship for two (2) years from original date of purchase.
- **Warranties for Other Components** – All other components not mentioned, including but not limited to the custom seal and accessories, are to be free of defects in materials and workmanship at the time of delivery and installation.

WARRANTIES FOR THE *EVOLUTION* SERIES

The warranty for the *EVOLUTION* Series covers parts and labor for the first twelve (12) months after purchase. After twelve (12) months the warranty continues to cover 100% of part replacement until the end of terms described within this Limited Warranty. Canimex Inc. will not cover charges related to the removal of the defective part and installation of the new one, as well as travel expenses. Canimex Inc. will cover the cost of shipping of parts for the first 90 days from the date of sale. Contact your dealer for details regarding any such charges.

PERFORMANCE

To obtain service in the event of a defect covered by this Limited Warranty, notify your *EVOLUTION* dealer as soon as possible and use all reasonable means to protect the *EVOLUTION* from further damage. Upon proof of purchase, a designated service representative will correct the defect subject to the terms and conditions contained in this Limited Warranty. Providing access to affect the repair is the responsibility of the *EVOLUTION* owner. In the event that the *EVOLUTION* is removed to a repair facility for repair and reinstalled, the cost of removal and reinstallation will be the responsibility of the *EVOLUTION* owner. Any replacement shall retain the remaining portion of the original warranty. In the event that you are unable to obtain service from you dealer please contact Covana Customer Service Department 1-877-278-8010 or via email at service@covana.com.

WARRANTY LIMITATIONS

This Limited Warranty is void if; (i) Canimex Inc. or its agent determines that the *EVOLUTION* has been subject to alteration, neglect, misuse, abuse or improper adjustment or installation of the equipment, (ii) used with equipment not covered in this warranty, (iii) installed or relocated to the extent that problems are attributable to the installation or relocation, (iv) located on any support surface other than that recommended in the installation manual; and/or (v) failure caused by accident, Acts of God or other causes beyond the control of Canimex Inc. *EVOLUTION*'s in commercial use are excluded from any coverage whatsoever. The *EVOLUTION* owner accepts liability for repair work performed by anyone other than the designated Covana dealer.

LIMITATIONS

This Limited Warranty takes the place of all other warranties either expressed or implied. All warranty work must be performed by an authorized agent or Canimex Inc. Customer may not dismantle the *EVOLUTION* and any attempt to dismantle systems other than describe herein, constitutes a modification or alteration of the *EVOLUTION* which may void the applicable warranty. No party, other than Canimex Inc. is authorized to alter this Limited Warranty in any way. Failure to install the *EVOLUTION* on improper foundation as per the installation manual will void the warranty. Warranty is void if the *EVOLUTION* has been used in a non-residential application or in an application for which it was not designed for.

DISCLAIMERS AND LEGAL RIGHTS

This Limited Warranty gives you specific legal rights. You may also have other rights that vary depending on country, state or province. The liability of Canimex Inc. under this limited warranty, if any, shall not exceed the original amount paid for the defective product. Prompt return of a completed warranty registration (by mail or e-mail) protects your warranty rights.

WARRANTY REGISTRATION PROGRAM

You can register your product warranty on our website: www.covana.com/warranty.html

We want our customers to enjoy their Covana products and in the case of warranty work needed, filling out this form will speed up the process as it is important to us that we have your product up and running as fast as possible.

No internet access?

Call us at 1-877-278-8010 to register over the phone

Or

Complete and mail in the form below to register or fax to 1-819-477-7212

Mail this form to: CANIMEX INC.
345 du Moulin
Door 61 – 64
Drummondville, (Québec)
Canada
J2B 0V1

Covana Model: _____ Serial Number: _____

Name: _____

Street Address: _____ City: _____

Zip Code/Postal Code: _____ Prov/State: _____ Country: _____

Phone Number: _____

Store Name of Purchase: _____

Name or Company of Installer: _____

Date of Install: _____ Copy of Sales Invoice: Attached



Contact your dealer for all related service issues.

Made in Canada
by Canimex
www.covana.com

PATENTED

CANADA 2,532,429
US 11/162,557
UK 0515168.3
AUSTRALIA 2006200251

COVANA

COVANA EVOLUTION

Lisez ce manuel avant d'utiliser le Covana



Manuel de l'utilisateur

www.covana.com

AVERTISSEMENT

RISQUE D'ÉLECTROCUTION
TOUT LE CÂBLAGE DOIT ÊTRE EFFECTUÉ PAR UN PROFESSIONNEL QUALIFIÉ.
LE CÂBLAGE DOIT RESPECTER TOUS LES CODES ET LES RÈGLEMENTS
MUNICIPAUX APPLICABLES.

AVERTISSEMENT

RISQUE D'ÉLECTROCUTION
LE MOTEUR DU COVANA DOIT ÊTRE RACCORDÉ À UN CIRCUIT PROTÉGÉ
PAR UN DISJONCTEUR DE MISE À LA TERRE.
RÉFÉRENCE : DOIT SE CONFORMER À TOUS LES CODES ET RÈGLEMENTS MUNICIPAUX.

AVERTISSEMENT

RISQUE DE BLESSURES
DÉBRANCHEZ OU ÉTEIGNEZ L'ALIMENTATION ÉLECTRIQUE AVANT D'ENTREPRENDRE
TOUTE INTERVENTION SUR LE COVANA.

AVERTISSEMENT

RISQUE DE BLESSURES
NE PAS FAIRE FONCTIONNER LE COVANA LORSQUE VOUS ÊTES DANS L'EAU.



AVERTISSEMENT

ÉVITEZ TOUT RISQUE DE NOYADE
RISQUE DE PRISE AU PIÈGE
LE NON-RESPECT DE TOUTES LES CONSIGNES PEUT ENTRAÎNER DES BLESSURES OU LA NOYADE.
INSPECTEZ LE TOIT RÉGULIÈREMENT.
CONFORME À LA NORME ASTM F1346-91 : *POWER SAFETY COVER*.

IMPORTANT

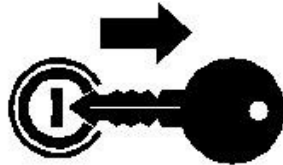
TOUTE MODIFICATION DE CE PRODUIT ANNULE LA GARANTIE.

AVIS

NE PAS MARCHER SUR LE MOTEUR DU COVANA.

AVIS

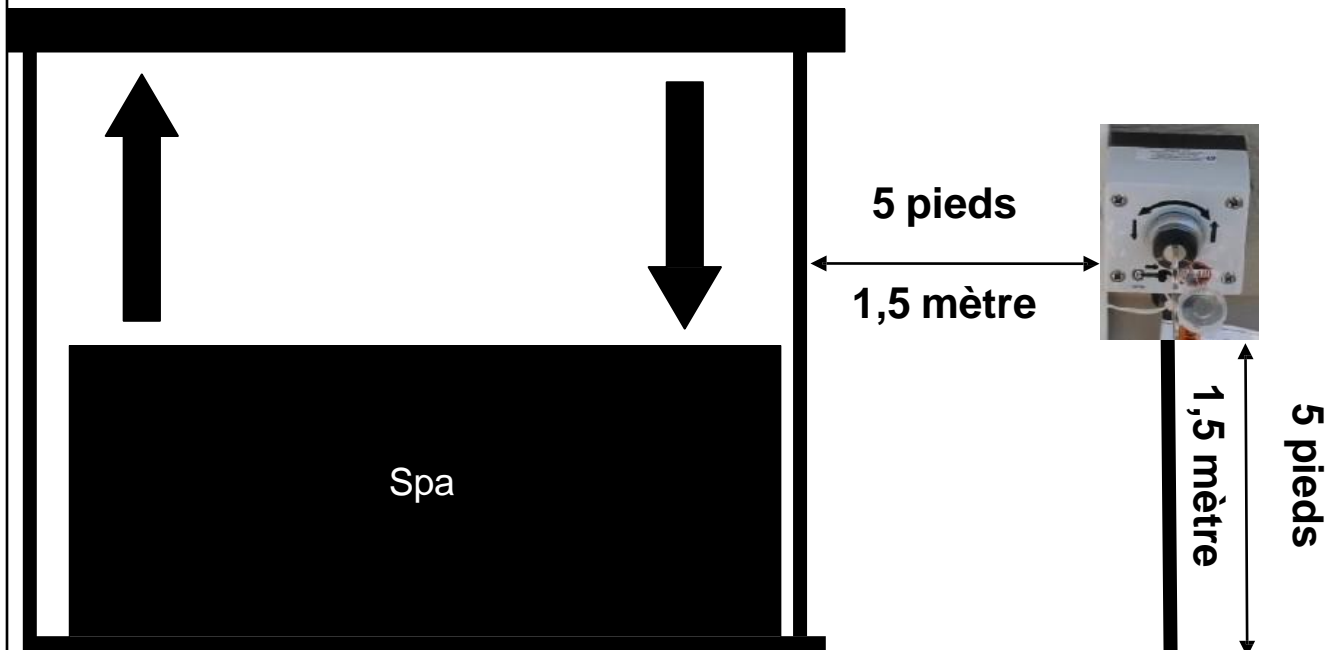
RETIREZ LA CLÉ DE L'INTERRUPTEUR QUAND VOUS AVEZ FINI D'UTILISER LE COVANA.
RANGÉZ LA CLÉ DANS UN ENDROIT SÛR POUR QU'ELLE NE SOIT PAS UTILISÉE.
AMENEZ LA CLÉ AVEC VOUS DANS LE SPA POUR EMPÊCHER
UN FONCTIONNEMENT PAR INADVERTANCE DU COVANA.



AVIS

L'interrupteur à clé doit être fixé de façon permanente à une distance de 5 pieds (1,5 m) du spa et à 5 pieds (1,5 m) au-dessus du sol avec une vue directe sur le Covana lors de son fonctionnement.

Toit



CONSIGNES D'UTILISATION

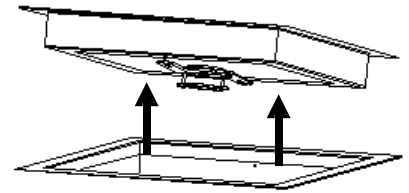
1. Enlevez tout débris et neige du toit avant de le mettre en marche.
2. Vérifiez qu'il n'y ait personne dans le spa ou à proximité.
3. Vérifiez que le chemin n'est pas obstrué.
4. La clé doit être maintenue dans la bonne position jusqu'à ce que le toit soit entièrement ouvert / fermé.
5. Le Covana s'arrêtera automatiquement aussi bien en mode totalement ouvert que totalement fermé.
6. Tournez la clé dans le sens horaire pour monter le toit.
7. Tournez la clé dans le sens antihoraire pour baisser le toit.
8. La clé reviendra automatiquement au centre, en position arrêt, lorsque relâchée.
9. Retirez la clé quand vous avez fini d'utiliser le Covana.



Utilisation de la trappe d'évacuation

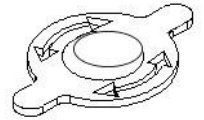
De l'intérieur

1. Tournez la poignée rouge d'un quart de tour dans n'importe quel sens pour rétracter les bras.
2. Poussez la trappe d'évacuation vers le haut et placez-la sur le côté.
3. Sortez par le trou et appelez de l'aide si nécessaire.



De l'extérieur

1. **Ne placez jamais votre poids sur la trappe d'évacuation, car cela pourrait nuire à la personne prise au piège en dessous.**
2. Utilisez la clé du Covana dans la fente située dans la partie centrale blanche de la poignée.
3. Faites tourner la poignée jusqu'à ce que la clé se mette en place.
4. Continuez à tourner la poignée d'un quart de tour dans n'importe quel sens.
5. Soulevez la trappe d'évacuation tout droit vers le haut en la tenant par les deux côtés, puis placez-la de côté.
6. Aidez la personne prise au piège en dessous du couvercle à s'extraire du spa par le trou d'évacuation.



SÉCURITÉ

- Ne manœuvrez jamais le Covana en présence de personnes ou d'objets dans le spa de nage.
- Le Covana ne doit être opéré que par des adultes.
- Retirez toujours la clé après usage, ne laissez jamais la clé dans l'interrupteur.
- Ne manœuvrez jamais le Covana lorsque vous êtes dans le spa de nage.
- Veillez à avoir une vue directe sur le Covana lorsque vous actionnez l'interrupteur à clé.
- Ne laissez jamais le Covana partiellement ouvert ou fermé.
- Abaissez le Covana dans les conditions de grand vent.
- Les objets à l'intérieur du spa de nage ne sont pas visibles quand le Covana est fermé.
- Surveillez les enfants en tout temps.
- Ne laissez jamais personne monter sur le Covana ou placer des objets sur le toit.
- Assurez-vous que les utilisateurs du Covana sont familiers avec la trappe d'évacuation et son fonctionnement.
- La trappe d'évacuation doit être utilisée en cas d'urgence uniquement.
- Inspectez régulièrement la trappe d'évacuation et assurez-vous qu'elle peut être ouverte à la fois de l'extérieur et de l'intérieur



AVERTISSEMENT

RISQUE DE BLESSURES

DÉBRANCHEZ OU ÉTEIGNEZ L'ALIMENTATION ÉLECTRIQUE AVANT D'ENTREPRENDRE TOUTE INTERVENTION SUR LE MOTEUR DU COVANA.

MAINTENANCE ET ENTRETIEN

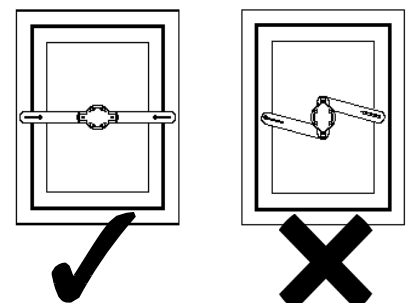
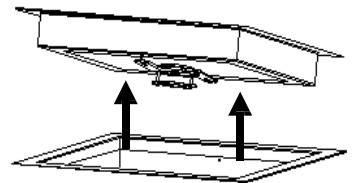
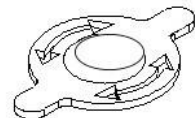
Toit - Nettoyez uniquement avec un détergent doux ou du savon et de l'eau.

Système de levage

1. Les vérins internes doivent être graissés tous les ans. Le début de l'automne est le meilleur moment. L'utilisation de la graisse "Loctite ViperLube High Performance Synthetic Grease" est recommandée.
 - a. Baissez le toit jusqu'à ce qu'il soit totalement fermé.
 - b. Enlevez les cinq vis de la plaque supérieure de **CHAQUE** poteau.
 - c. Tournez la clé pour activer le système.
 - d. Les quatre vérins internes commenceront à se lever, mais le toit restera baissé sur le spa.
 - e. Faites monter les vérins jusqu'à ce que le système s'arrête de lui-même.
 - f. Vaporisez de la graisse sur tous les composants mécaniques et de coulissement.
 - g. Faites fonctionner le système en le levant et le baissant deux ou trois fois et vérifiez s'il est nécessaire d'appliquer plus de graisse.
 - h. Baissez le système et remplacez les vis en utilisant un tournevis manuel, car un outil électrique pourrait casser les vis.
2. Les composants mécaniques du moteur doivent être graissés tous les ans.
 - a. Débranchez ou éteignez l'alimentation.
 - b. Enlevez les quatre vis du couvercle du moteur.
 - c. Enlevez le couvercle.
 - d. Vaporisez de la graisse sur tous les composants mécaniques.
 - e. Remettez le couvercle du moteur et rebranchez l'alimentation électrique.

Trappe d'évacuation

1. Inspectez la trappe d'évacuation tous les mois pour vous assurer qu'elle fonctionne bien et sans risque.
 - a. Assurez-vous que le couvercle Covana est complètement abaissé sur le spa de nage avant de vérifier la trappe d'évacuation.
 - b. Retirez la clé de l'interrupteur à clé.
 - c. En vous plaçant au-dessus, utilisez la clé du Covana dans la fente située dans la partie centrale blanche de la poignée.
 - d. Tournez la poignée jusqu'à ce que la clé se mette en place.
 - e. Continuez à tourner la poignée d'un quart de tour. Vous devriez percevoir une certaine résistance tandis que les bras se déplacent. Si vous ne percevez aucune résistance, assurez-vous que la clé traverse les deux fentes. Si la poignée ne tourne toujours pas les bras, contactez votre détaillant.
 - f. Soulevez la trappe d'évacuation en la tenant par les deux côtés.
 - g. Une fois la trappe d'évacuation sortie, tournez la poignée du bas, les bras sur les côtés devraient alors se rétracter et se dégager. Ceci confirmé, tournez la poignée de façon à ce que les bras se remettent en place. S'ils ne se déplacent pas, contactez votre détaillant.
 - h. Remettez la trappe d'évacuation en place.
 - i. Tout en gardant la clé insérée, faites tourner la poignée vers l'arrière d'un quart de tour.
 - j. Retirez la clé.
 - k. Avec l'interrupteur à clé, levez le Covana et assurez-vous que les bras de la trappe d'évacuation sont étendus comme illustré.
 - l. Abaissez à nouveau le Covana puis retirez la clé.



GUIDE DE RÉOLUTION DE PROBLÈMES POUR COVANA

PROBLÈME	CAUSE	SOLUTION
<p>Le Covana ne se lève pas ou ne s'abaisse pas</p> <ul style="list-style-type: none"> • Le moteur est silencieux • Pas de mouvement visible 	<p>Pas d'alimentation électrique</p>	Vérifiez le disjoncteur de mise à la terre et réinitialisez-le s'il a sauté.
		Vérifiez le panneau du disjoncteur.
		Vérifiez l'interrupteur à clé – ouvrez-le et vérifiez les branchements – ils pourraient avoir besoin d'être resserrés.
		Surchauffe du moteur – attendez 30 minutes et essayez à nouveau.
		Consultez le guide des pannes électriques.
		Référez-vous au manuel de l'opérateur pour activer le Covana manuellement.
		Consultez un électricien.
<p>Le Covana ne se lève ou ne s'abaisse pas</p> <ul style="list-style-type: none"> • Le moteur fait du bruit • Un mouvement est visible 	<p>Les poteaux sont gelés</p>	Enlevez toute la neige et la glace sur le toit du Covana et retirez toutes les toiles / moustiquaires des crochets inférieurs de restriction.
		Tournez la clé pour éteindre et allumer un nombre de fois suffisant afin de dégripper un poteau gelé.
		Tapez le côté de chaque poteau pour dégripper le système et enlever des bouts de glace / gel.
		Vaporisez un lubrifiant à base de silicone sur les manchons télescopiques en aluminium.
		Vérifiez l'étanchéité – allumez tous les jets et bulles, baissez le toit, détectez s'il y a la moindre fuite dans l'espace des poteaux. En cas de fuite, relâchez la pince extérieure du poteau et poussez vers le bas sur le toit jusqu'à ce que la fuite s'arrête. Resserrez la pince et remettez la vis de sécurité.
	Effectuez la procédure de graissage du vérin.	
Problème mécanique		Contactez votre revendeur
<p>Toiles ou moustiquaires</p> <ul style="list-style-type: none"> • Trop lâches • Ne se rétractent pas correctement • Les barres de restriction se débranchent des crochets de restriction lorsque le toit est totalement baissé 	<p>Déroulement insuffisant</p>	Réviser la procédure d'installation et donner une tension supplémentaire. Regardez le film sur YouTube (en anglais) pour suivre la procédure.
La trappe d'évacuation ne s'ouvre pas	Problème mécanique	Contactez votre revendeur

FONCTIONNEMENT MANUEL EN CAS DE COUPURE D'ÉLECTRICITÉ

AVERTISSEMENT

RISQUE DE BLESSURES

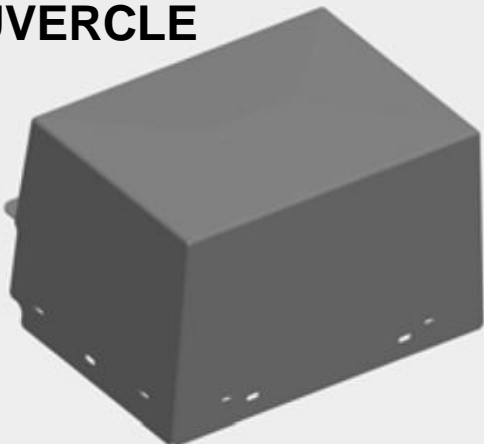
DÉBRANCHEZ OU ÉTEIGNEZ L'ALIMENTATION ÉLECTRIQUE AVANT D'ENTREPRENDRE
TOUTE INTERVENTION SUR LE MOTEUR DU COVANA.

1. Débranchez ou éteignez l'alimentation.
2. Dévissez et enlevez les quatre vis du couvercle du moteur et retirez le couvercle.
3. Utilisez une clé à douille hexagonale de 1/2" ou 13 mm pour faire fonctionner l'appareil en tournant l'arbre d'entrée.

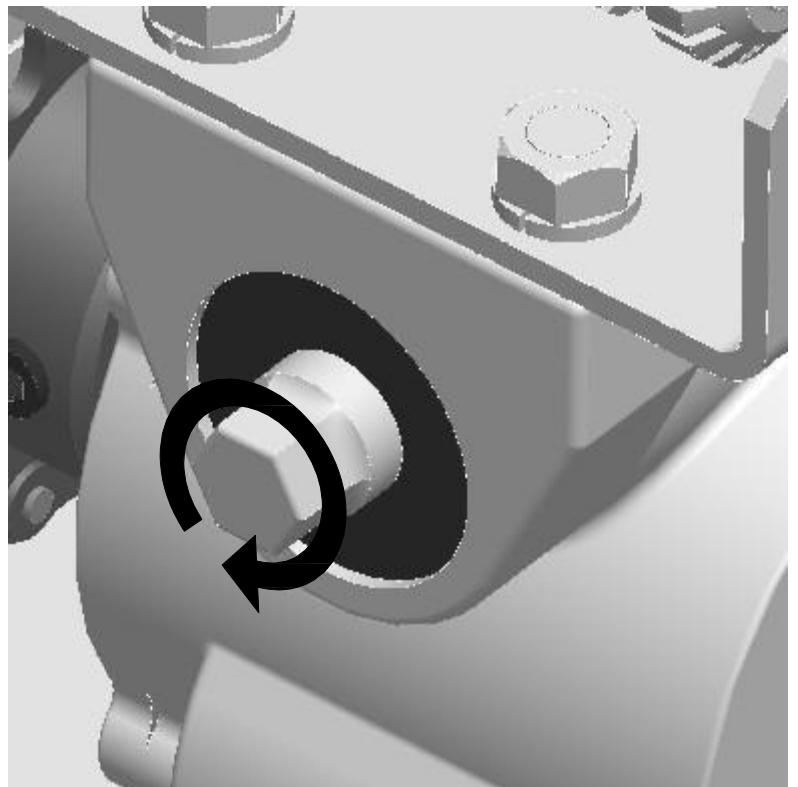
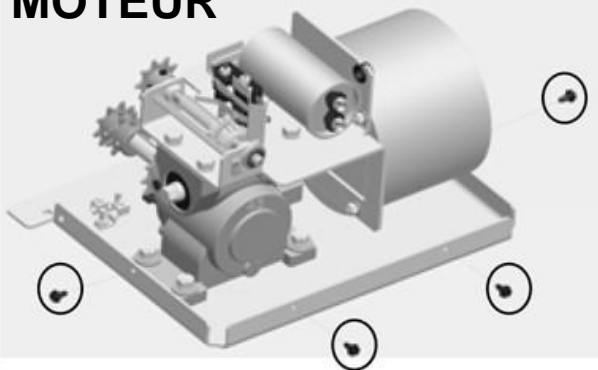
**TOURNEZ L'ARBRE AVEC PRÉCAUTION - ARRÊTEZ SI VOUS SENTEZ UNE TROP GRANDE TENSION.
NE JAMAIS UTILISER D'OUTIL ÉLECTRIQUE, CAR CELA ENDOMMAGERAIT LE MOTEUR.**

4. Tournez l'arbre d'entrée dans le sens horaire pour baisser le toit et dans le sens antihoraire pour le monter.
5. Remettez le couvercle sur le moteur.
6. Rebranchez ou allumez le moteur.

COUVERCLE



MOTEUR

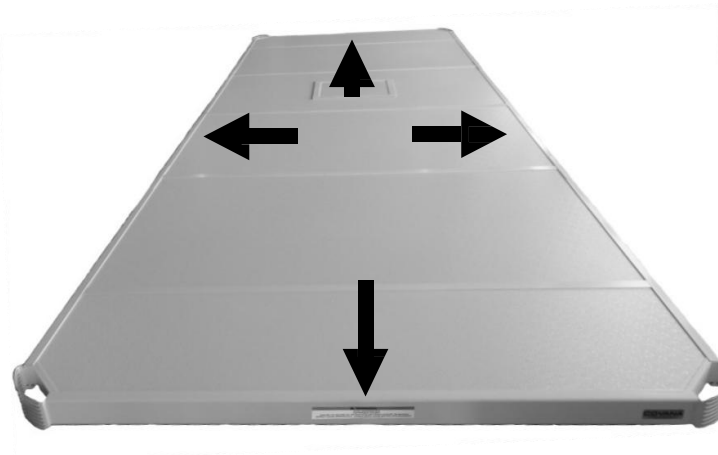


SÉCURITÉ

⚠ AVERTISSEMENT

**ÉVITEZ TOUT RISQUE DE NOYADE
RISQUE DE PRISE AU PIÈGE**
LE NON-RESPECT DE TOUTES LES CONSIGNES PEUT ENTRAÎNER DES BLESSURES OU LA NOYADE.
INSPECTEZ LE TOIT RÉGULIÈREMENT.
CONFORME À LA NORME ASTM F1346-91 : *POWER SAFETY COVER.*

- Ne jamais faire fonctionner le Covana si des personnes ou des objets se trouvent dans le spa.
- Le Covana doit uniquement être utilisé par un adulte.
- Toujours enlever la clé après utilisation. Ne jamais laisser la clé dans l'interrupteur.
- Ne pas faire fonctionner le Covana pendant que vous êtes dans le spa.
- Vous devez toujours bien voir le Covana lorsque vous tournez la clé dans l'interrupteur.
- Ne jamais laisser le Covana partiellement ouvert ou partiellement fermé.
- Baissez le Covana en cas de vents forts.
- Aucun objet ne peut être visible sous le toit lorsqu'il est fermé.
- Surveillez les enfants à tout moment.
- Vérifiez que le toit ne s'use pas prématurément.
- Ne jamais laisser personne aller sur le toit ou y poser des objets.



Étiquettes telles qu'elles apparaissent sur les quatre (4) côtés extérieurs du COVANA EVOLUTION.

Si les étiquettes d'origine sont endommagées ou ne satisfont plus les conditions de lisibilité à distance, veuillez vous procurer des étiquettes de remplacement en contactant Covana ou votre détaillant

COVANA EVOLUTION Garantie limitée 2015 du consommateur

Cette garantie limitée s'applique uniquement à l'acheteur d'origine d'un COVANA EVOLUTION acheté après le 1^{er} janvier 2015 et installé à des fins résidentielles et récréatives uniquement. Cette garantie entre en vigueur à la date de l'achat initial du COVANA EVOLUTION.

CE QUI EST COUVERT

- **5 ans pour la structure** - Le cadre d'aluminium, les supports de fixation et les manchons télescopiques sont garantis contre toute fracture, déformation et usure, liées à un vice de matériau ou de fabrication, pendant une durée de cinq (5) ans à partir de la date de l'achat initial.
- **2 ans pour le couvercle** - Le couvercle en fibres de verre est garanti contre toute fracture et déformation pendant une période de deux (2) ans à partir de la date de l'achat initial. L'estompage et le vieillissement de la surface, ainsi que l'abrasion de la surface, sont considérés comme des conditions naturelles et progressives, et ne sont pas considérés comme des défauts. Une composition hydrochimique incorrecte ou une utilisation inappropriée de produits chimiques peut causer une décoloration de la surface intérieure du spa piscine. La décoloration de la surface intérieure du spa piscine n'est pas considérée comme un défaut et n'est pas couverte par cette garantie.
- **3 ans pour la finition de peinture en poudre** - La peinture en poudre sur toutes les surfaces est garantie contre l'écaillage et le pelage pendant trois (3) ans à partir de la date de l'achat initial. L'estompage et le vieillissement de la surface, ainsi que l'abrasion de la surface, sont considérés comme des conditions naturelles et progressives, et ne sont pas considérés comme des défauts. L'écaillage de la peinture en poudre peut survenir pendant l'assemblage et pendant l'entretien du COVANA EVOLUTION. Un tel écaillage n'est pas couvert par cette garantie.
- **3 ans pour les composants mécaniques** - Les composants mécaniques, y compris le moteur, les chaînes, les arbres d'entraînement et les vérins, sont garantis contre toute défaillance liée à un vice de matériau ou de fabrication, pendant trois (3) ans à partir de la date de l'achat initial.
- **2 ans pour les composants électriques** - Les composants électriques, y compris les câbles, les fils et le contrôleur de l'interrupteur à clé, sont garantis contre toute défaillance liée à un vice de matériau ou de fabrication, pendant deux (2) ans à partir de la date de l'achat initial.
- **Garantie des autres composants** - Tous les autres composants non mentionnés ci-dessus, y compris, mais non limité au joint d'étanchéité et les accessoires, sont garantis sans vice de matériau ou de fabrication au moment de la livraison et de l'installation.

GARANTIE DU MODÈLE COVANA EVOLUTION

La garantie du modèle COVANA EVOLUTION couvre les pièces et la main d'œuvre pendant les douze (12) premiers mois suivants l'achat. Après douze (12) mois, la garantie continue à couvrir 100 % des pièces de remplacement jusqu'à la fin des échéances décrites dans cette garantie limitée. Canimex Inc. ne couvrira pas les frais liés au retrait des pièces défectueuses et à l'installation des pièces de rechange ni les frais de déplacement. Canimex Inc. couvrira le coût d'expédition des pièces de rechange pendant les 90 premiers jours après la date de vente. Contactez votre détaillant pour plus de détail concernant la couverture de ces frais.

EXÉCUTION

Pour obtenir un service en cas de défaut couvert par cette garantie limitée, avisez votre détaillant COVANA EVOLUTION dès que possible et mettez en œuvre tous les moyens raisonnables pour protéger le COVANA EVOLUTION contre des dommages supplémentaires. Vous devez présenter votre preuve d'achat, et un représentant désigné du service à la clientèle rectifiera le problème, selon les conditions générales contenues dans cette garantie limitée. Le propriétaire du COVANA EVOLUTION est responsable pour donner accès au COVANA EVOLUTION afin d'effectuer la réparation. Au cas où le COVANA EVOLUTION est démonté et transporté à un atelier de réparation pour y être réparé, puis réinstallé, le propriétaire du COVANA EVOLUTION est responsable pour la prise en charge des frais de démontage, de transport et de réinstallation. Toute pièce de remplacement bénéficiera de la portion restante de la garantie d'origine. Au cas où vous ne seriez pas en mesure d'obtenir un service auprès de votre détaillant, veuillez contacter le service après-vente de Covana au 1-877-278-8010 ou par courriel à service@covana.com.

LIMITATIONS DE LA GARANTIE

Cette garantie limitée sera invalidée si : (i) Canimex Inc. ou un de ses agents conclut que le COVANA EVOLUTION a été altéré, traité avec négligence ou abus, utilisé ou ajusté ou installé de façon impropre; (ii) a été utilisé avec du matériel non couvert par cette garantie; (iii) a été installé ou déplacé, dans la mesure où les problèmes sont attribuables à l'installation ou au déplacement; (iv) a été placé sur une surface de support ne répondant pas aux recommandations données dans le manuel d'installation; ou (v) a subi une défaillance à la suite d'un accident, d'une catastrophe naturelle ou toute autre cause échappant au contrôle de Canimex Inc. Cette garantie limitée n'offre aucune couverture de quelque nature qu'elle soit en cas d'usage commercial du COVANA EVOLUTION. Le propriétaire du COVANA EVOLUTION accepte la responsabilité pour tout travail de réparation exécuté une personne autre qu'un détaillant Covana agréé.

LIMITATIONS

Cette garantie limitée remplace toute autre garantie, explicite ou implicite. Toutes les réparations sous garantie doivent être effectuées par Canimex Inc. ou un de ses détaillants agréés. Le client ne doit pas démonter le COVANA EVOLUTION et toute tentative de démonter des systèmes autre que ce qui est décrit dans ce document, constitue une modification ou un changement du COVANA EVOLUTION, et peut avoir pour effet l'annulation de la garantie. Aucun parti, autre que Canimex Inc. n'est autorisé à modifier cette garantie limitée de quelque façon. Si l'installation du COVANA EVOLUTION n'est pas effectuée sur une fondation appropriée, comme décrit dans le manuel d'installation, cela a pour effet l'annulation de la garantie. La garantie est annulée si le COVANA EVOLUTION a été utilisé à des fins non résidentielles ou dans une application pour laquelle il n'a pas été conçu.

CLAUSES D'EXONÉRATION ET DROITS LÉGAUX

Cette garantie limitée vous donne certains droits légaux spécifiques. Vous pouvez avoir aussi d'autres droits en fonction de votre pays, votre état ou votre province. La responsabilité de Canimex Inc. dans le cadre de cette garantie limitée ne doit pas, le cas échéant, dépasser le montant original payé pour le produit défectueux. Le renvoi rapide de la carte d'enregistrement de garantie remplie (par courrier ou par courriel) protège vos droits de garantie.

PROGRAMME D'ENREGISTREMENT DE LA GARANTIE

Vous pouvez enregistrer votre garantie en ligne au : http://www.covana.com/FR_warranty.html

Nous désirons que nos clients soient satisfaits de leur Covana. C'est pourquoi, en cas de travaux de garantie, le fait de compléter cet enregistrement de garantie accélèrera le processus et nous ferons le nécessaire pour que vous puissiez profiter de votre bien le plus rapidement possible.

Pas d'accès Internet?

Communiquez avec nous au 1 877 278-1010

Ou

Envoyez-nous ce formulaire d'enregistrement dûment complété par télécopieur : 1 819 477-7212

Ou par la poste à l'adresse suivante :
CANIMEX INC.
345, rue du Moulin
Porte 61 – 64
Drummondville (Québec)
Canada
J2B 0V1

Modèle : _____ Numéro de série : _____

Nom : _____

Adresse : _____ Ville : _____

Code postal : _____ Province : _____ Pays : _____

Numéro de téléphone : _____

Marchand où vous avez fait l'achat du Covana : _____

Nom de l'installateur ou de la compagnie qui a fait l'installation du Covana : _____

Date d'installation : _____ Copie de la facture : Jointe



Contactez votre revendeur pour toutes questions de service

Fabriqué au Canada
par Canimex
www.covana.com

PATENTED

CANADA 2,532,429
US 11/162,557
R-U. 0515168.3
AUSTRALIE 2006200251